



(Incorporated in N.S.W. A.B.N. 64 002 826 995)

# COMPONENTS A/Asia

Locked bag 30 Ashfield 2131  
138 Liverpool Rd Ashfield NSW Australia

PH 02-9797-9866  
FAX 02-9716-6015  
enquiries@wescomponents.com



# MSP12

## Feature:

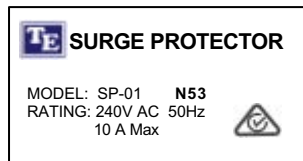
- Mains Surge Indicator.
- 3 x M.O.V For Mains Protections.
- Slimline Design (Fit two side by side in dual Power point).
- Fully Approved with insulated plug pins.

### Mains Specifications

Load Rating:	240Vac 50Hz, 10A
Max Clamping Voltage:	710V (8/20nS)
Max Peak Current:	4500A (8/20nS)
Max Energy:	115J (10/1000nS)
Response Time:	Less than 1 nS (10/1000nS)

#### Protection Modes:

Active-Neutral  
Active-Earth  
Neutral-Earth

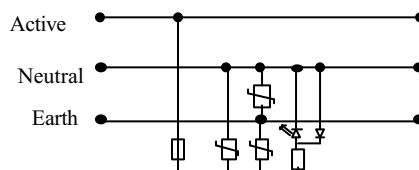
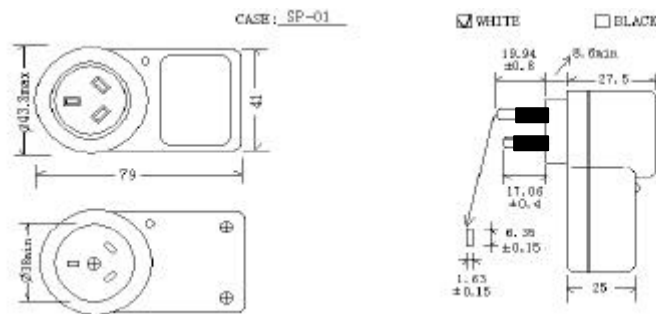


DFT Approval No : N17765

### Compliance

#### Mains:

AS/NZS-3197 AS/NZS-3100 , AS/NZS-3112 , AS/NZS-3108,



Data sheet subject to change without notice.

www.wescomponents.com  
enquiries@wescomponents.com



# MSPT10

## Feature:

- Mains surge LED indicator.
- Gas tube arrestor for telecom protection.
- 3 x M.O.V for Mains protections.
- Slimline design (fit two side by side in dual power point).
- Fully Approved with insulated plug pins
- 2x Standard RJ12 socket telephone connection.

Mains Specifications		Telecom. Specifications	
Load Rating:	240Vac 50Hz, 10A	DC Break Down Voltage:	460V
Max Clamping Voltage:	710V (8/20nS)	Surge Break Down:	< 800V
Max Peak Current:	4500A (8/20nS)	Surge Discharge Current:	10 kA (8/20nS)
Max Energy:	146J (10/1000nS)	AC Discharge Current:	10 A
Response Time:	Less than 1 nS (10/1000nS)	Insulation Resistance:	> 10 GW (@100V)
Protection Modes:	Active-Neutral, Active-Earth, Neutral-Earth	Protection Modes:	Tip - Earth & Ring - Earth

DFT Approval No : N17765

## Compliance

<b>Mains:</b> AS/NZS-3197, AS/NZS-3100 , AS/NZS-3112 .	<b>Telecommunication:</b> TS001, AS/NZS 3260, AS/NZS: 4117, AS/NZS 4251.1
---	--

