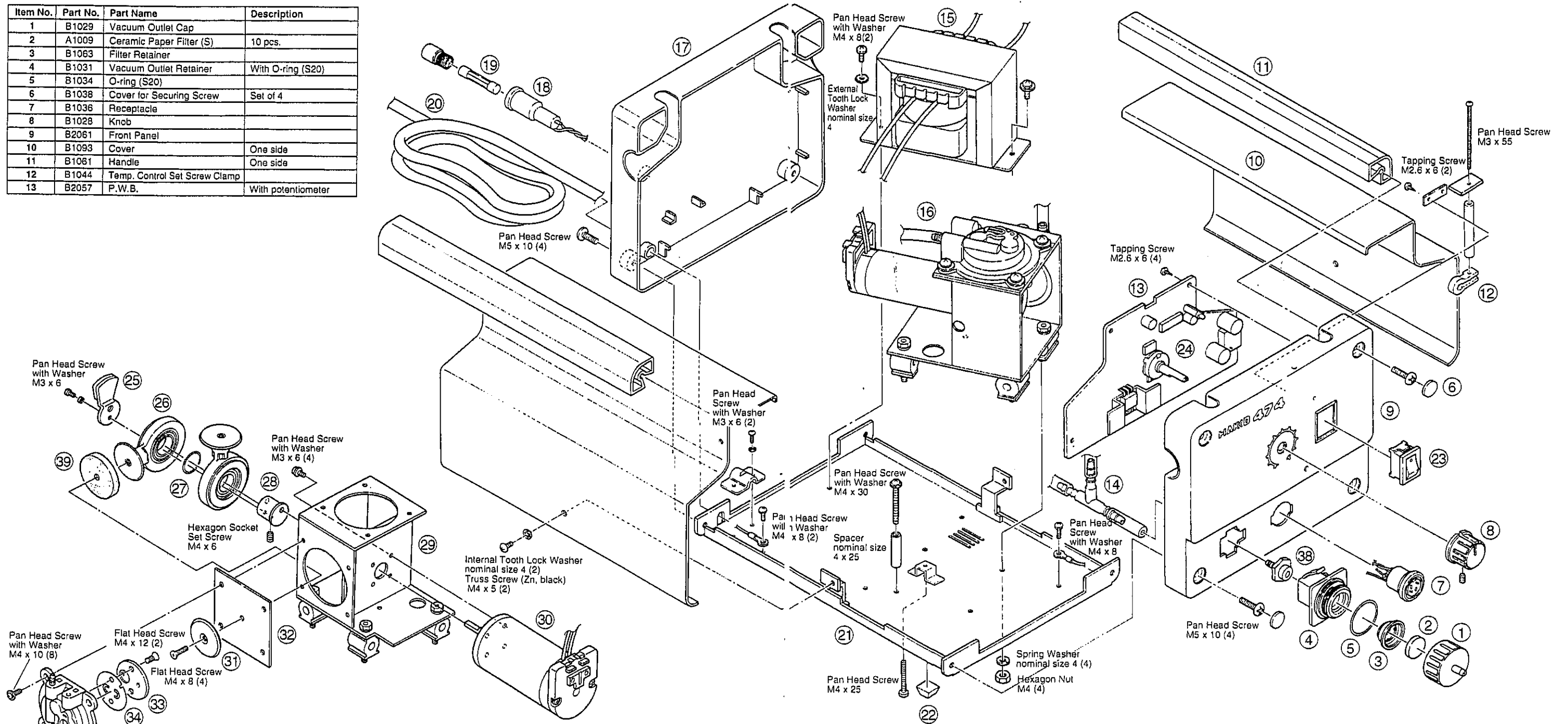


Parts List (Station)

Note: Spare or repair parts do not include mounting screws, if they are not listed on the description.
Screws must be ordered separately.

Item No.	Part No.	Part Name	Description
1	B1029	Vacuum Outlet Cap	
2	A1009	Ceramic Paper Filter (S)	10 pcs.
3	B1063	Filter Retainer	
4	B1031	Vacuum Outlet Retainer	With O-ring (S20)
5	B1034	O-ring (S20)	
6	B1038	Cover for Securing Screw	Set of 4
7	B1036	Receptacle	
8	B1028	Knob	
9	B2061	Front Panel	
10	B1093	Cover	One side
11	B1061	Handle	One side
12	B1044	Temp. Control Set Screw Clamp	
13	B2057	P.W.B.	With potentiometer

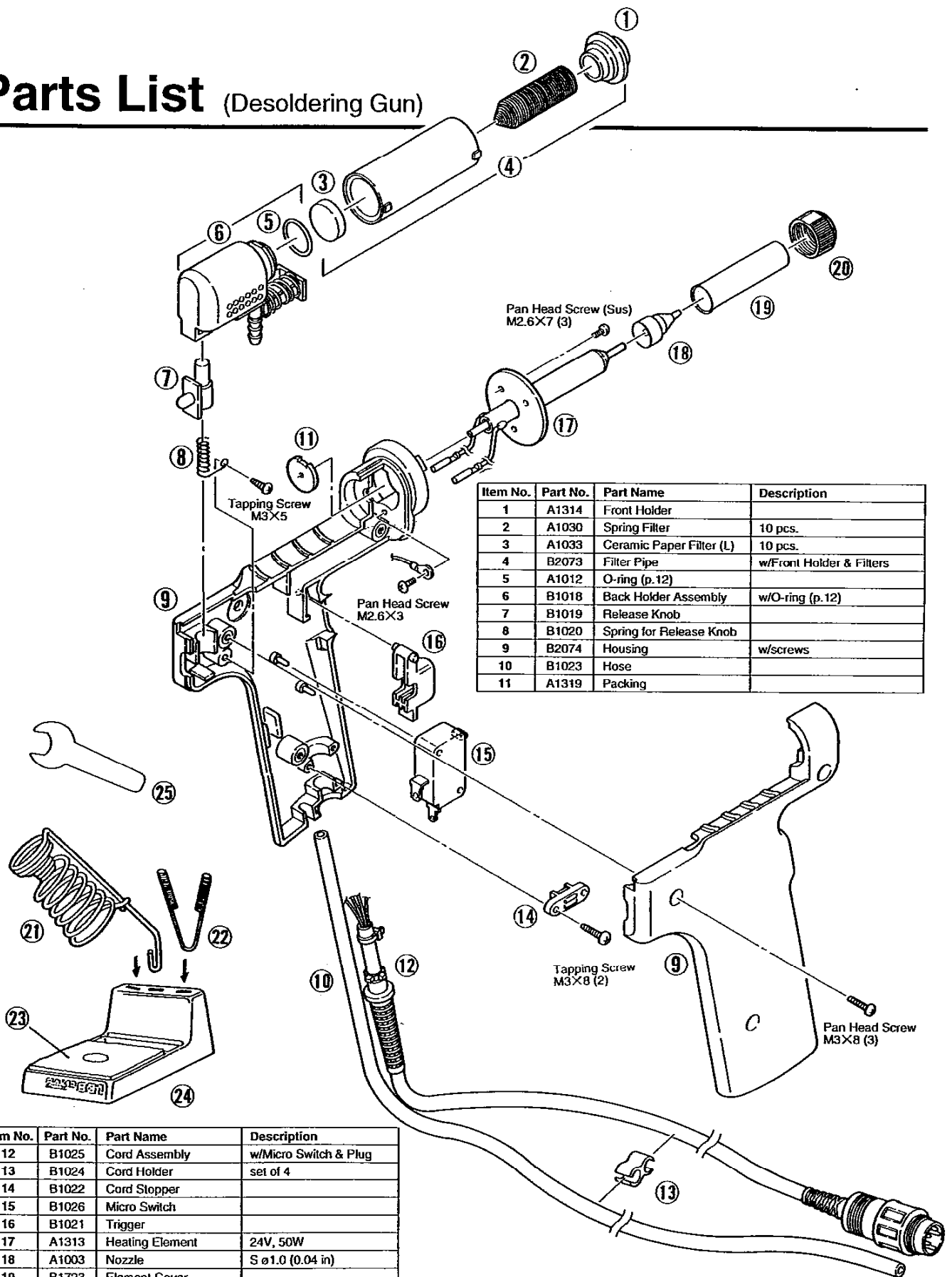


Item No.	Part No.	Part Name	Description
14	B2063	Hose Assembly	
	B2065	Transformer	100-24V
15	B2077	Transformer	110-24V
	B2078	Transformer	120-24V
	B2080	Transformer	220-24, 230-24, 240-24V
16	B2444	Pump Assembly	
17	B2067	Rear Panel	With rating seal
18	B1041	Fuse Holder	Without fuse
	B1134	Fuse Holder	Without fuse Australian 240V
	B1042	Fuse	125V-2A/100, 110V
19	B1138	Fuse	250V-1A/220, 230V
	B1139	Fuse	250V-1A/Australian 240V
	B1275	Fuse	250V-2A (U)/120V

Item No.	Part No.	Part Name	Description
20	B2068	Power Cord	3 Core & American Plug
	B2079	Power Cord	3 Core But No Plug
	B2081	Power Cord	3 Core & Australian Plug
	B2082	Power Cord	3 Core & BS Plug
	B2083	Power Cord	3 Core & European Plug
21	B2066	Chassis	
22	B1037	Rubber Stopper	Set of 4
23	B1084	Switch	
24	B1078	Potentiometer	
25	B1053	Balance Weight	
26	B1312	Crank	With bearing

Item No.	Part No.	Part Name	Description
27	B1057	Ring for Bearing	
28	B2060	Crank Shaft	With a screw
29	B2059	Pump Frame	
30	B2058	Motor	
31	B2085	Diaphragm Setting Plate	
32	A1013	Diaphragm	Set of 2 with screws
33	B1056	Fixing Plate	
34	A1014	Valve Plate	Set of 2
35	B1050	Pump Head	With screws
36	B1059	Exhaust Filter	Set of 2
37	B1313	Filter Retaining Pin	
38	B1064	Filter Case Joint	
39	B2506	Damper	Set of 2

Parts List (Desoldering Gun)



Item No.	Part No.	Part Name	Description
1	A1314	Front Holder	
2	A1030	Spring Filter	10 pcs.
3	A1033	Ceramic Paper Filter (L)	10 pcs.
4	B2073	Filter Pipe	w/Front Holder & Filters
5	A1012	O-ring (p.12)	
6	B1018	Back Holder Assembly	w/O-ring (p.12)
7	B1019	Release Knob	
8	B1020	Spring for Release Knob	
9	B2074	Housing	w/screws
10	B1023	Hose	
11	A1319	Packing	

Item No.	Part No.	Part Name	Description
12	B1025	Cord Assembly	w/Micro Switch & Plug
13	B1024	Cord Holder	set of 4
14	B1022	Cord Stopper	
15	B1026	Micro Switch	
16	B1021	Trigger	
17	A1313	Heating Element	24V, 50W
18	A1003	Nozzle	S ø1.0 (0.04 in)
19	B1723	Element Cover	
20	B1724	Nut	
21	B1094	Spring Iron Holder	
22	B1095	Cleaning Pin Holder	
23	A1042	Cleaning Sponge	
24	B1470	Iron Holder Base	
25	B2100	Spanner	