

Telex Technical Data

Series 785 Gooseneck Paging Microphones



**MODELS 785H
AND 785L**

**MODELS SR785H,
SR785L, AND SR785L N/O**

General Description

The Series 785 Gooseneck Paging Microphones are suitable for applications where ruggedness, dependability and durability are required. Each microphone is specially designed to meet specific impedance and switching or non-switching requirements as follows:

Model 785H: High output, unswitched

Model 785L: Low output, unswitched

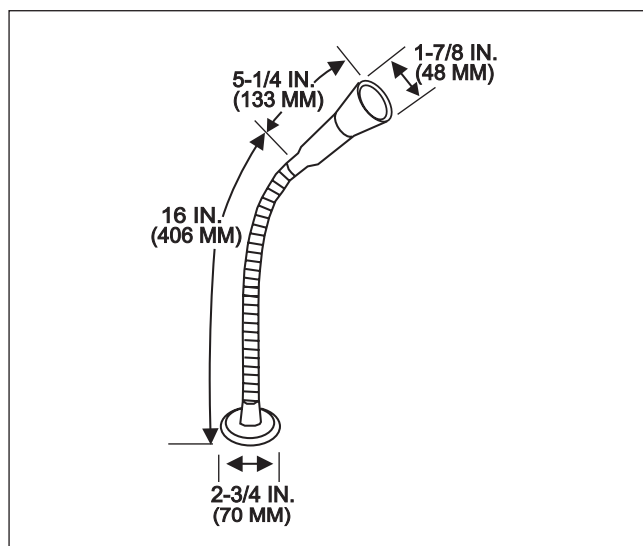
Model SR785H: High output, with normally closed talk switch

Model SR785L: Low output, with normally closed talk switch

Model SR785L N/O: Low output, with normally open talk switch

Design Features

The microphone housing is constructed of a die-cast zinc alloy which will stand up under the toughest abuse. A rugged, recessed aluminum grille with windscreen adds further protection and improved performance in harsh environments. An attractive and durable satin-chrome finish is used on all models. All units include a heavy-duty, three-hole mounting flange and an extra-strength 16-inch (406 mm) flex arm of steel tubing.



Dimensional Drawing

Specifications

Type:

Dynamic

Polar Pattern:

Omnidirectional

Frequency Response:

100 Hz to 10,000 Hz

Impedance:

785H and SR785H: 50K ohms (High)

785L, SR785L, & SR785L N/O: 150-200 ohms (Low)

Output Level at 1 kHz:

Open Circuit: Low: -80 dB re 1 V/ bar (0.1 mV)

High: -58 dB re 1 V/ bar (1.26 mV)

Power Level: -59 dB re 1 mW/10 bars

EIA Sensitivity: -152 dB

Switching:

785H and 785L: Unswitched, continuous operation

SR785H and SR785L: Push-button, normally shorted in off position

SR785L N/O: Push-button, normally open in off position

Case Material:

Die-cast zinc alloy

Finish:

Satin-chrome

© Telex Communications, Inc.: February 1991

TELEX[®]

Specifications Cont

Cable:

Length:

785H and 785L: 40 inches (1 m)

SR785H, SR785L, and SR785L N/O: 52 inches (1.3 m)

Wiring:

785H: 1-conductor, shielded

785L: 2-conductor, shielded

SR785H: 3-conductor, 1 shielded

SR785L and SR785L N/O: 4-conductor, 2 shielded

Terminations: (see wiring diagrams)

Color:

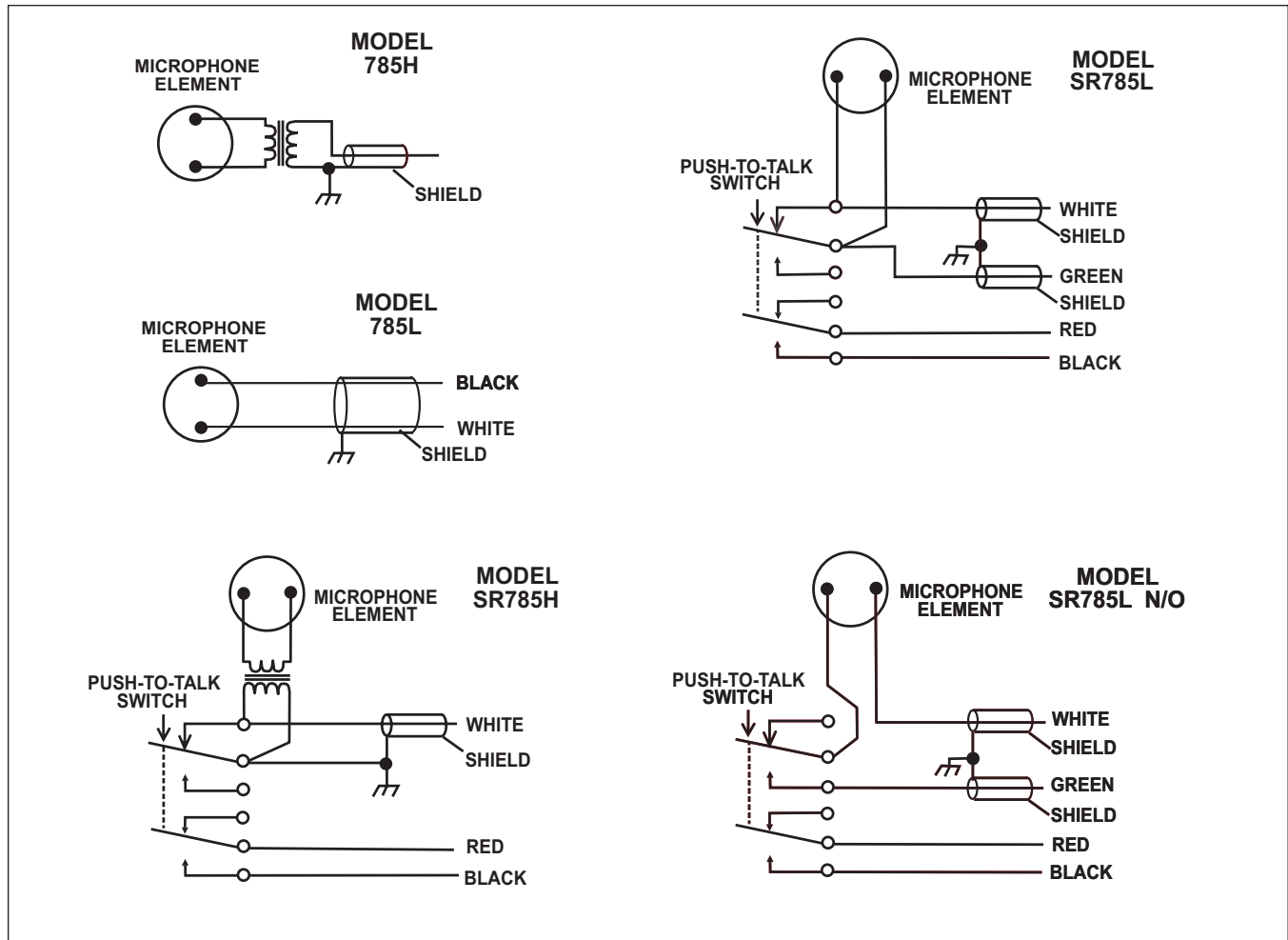
785H and 785L: gray

SR785H, SR785L, and SR785L N/O: black

Weight:

785H and 785L: 1.25 lbs (0.57 kg)

SR785H, SR785L, and SR785L N/O: 1.50 lbs (0.68 kg).



Wiring Diagrams

Ordering Information

| | |
|--|------------------|
| Model 785H Dynamic Microphone | Cat. No. 46035 |
| Model 785L Dynamic Microphone | Cat. No. 46033 |
| Model SR785H Dynamic Microphone | Cat. No. 46000 |
| Model SR785L Dynamic Microphone | Cat. No. 46001 |
| Model SR785L N/O Dynamic Microphone | Cat. No. 46002 |
| Replacement Element (all models) | Cat. No. 75329 |
| Replacement Gooseneck (all models) | Cat. No. 01055-1 |
| Replacement Mounting Flange (all models) | Cat. No. 02193-2 |

TELEX®