



**BOSCH**

Invented for life

# LBB 9099/10 Unidirectional Handheld Microphone



- ▶ **Dynamic transducer**
- ▶ **Unidirectional handheld microphone**
- ▶ **High speech intelligibility**
- ▶ **Rugged construction**
- ▶ **Modern nonreflective dark gray finish**

This unidirectional handheld microphone provides cost-effective, high-quality speech intelligibility and is fully compatible with other public address equipment. It is based on a dynamic transducer element in a sturdy housing with shielding against wind and wind bursts (pops). The microphone has excellent cardioid directivity, greatly reducing acoustic feedback.

The microphone is intended for public address and sound reinforcement applications such as in leisure centers, assembly halls, and shops.

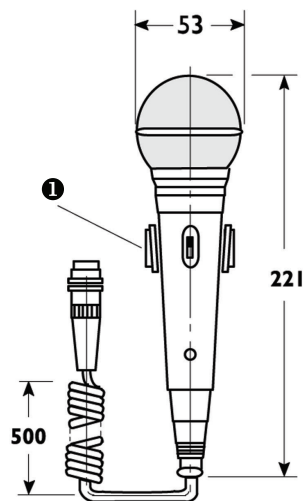
## Functions

The LBB 9099/10 microphone features an on/off slide-switch with electrically isolated contacts for remote control switching, if required. This feature can switch off background music automatically, or sound announcement chimes when the microphone is activated.

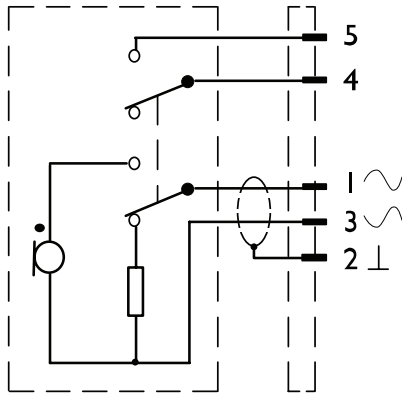
## Certifications and Approvals

Region	Certification
Europe	CE Declaration of Conformity

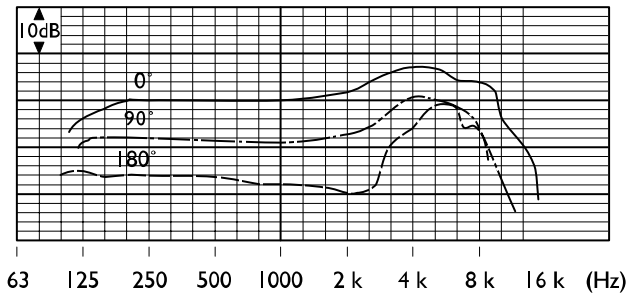
## Installation/Configuration Notes



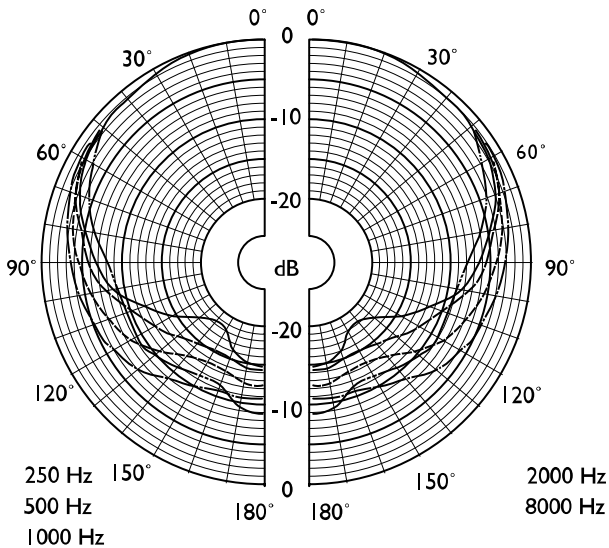
Dimensions in mm showing wall bracket (1)



Circuit diagram



Frequency response



Polar diagram (measured with pink noise)

**Parts Included**

Quantity	Component
1	LBB 9099/10 Unidirectional Handheld Microphone
1	Wall-mounting bracket

**Technical Specifications**

**Electrical\***

Type	Handheld
Polar pattern	Unidirectional
Frequency range	100 Hz to 13 kHz
Sensitivity	2 mV/Pa ±4 dB
Rated output impedance	600 ohm

\* Technical performance data acc. to IEC 60268-4

**Mechanical**

Dimensions (L x D)	221 x 53 mm (8.7 x 2.09 in)
Weight	420 g (0.93 lb)
Color	Dark gray
Switch	On/off with remote control contact
Cable length	0.5 m (19.7 in) coiled 1.2 m (47.2 in) uncoiled
Connector	5-pin 180° DIN (lockable)

**Environmental**

Operating temperature	-10 °C to +55 °C (+14 °F to +131 °F)
Storage temperature	-40 °C to +70 °C (-40 °F to +158 °F)
Relative humidity	<95%

**Ordering Information**

**LBB 9099/10 Unidirectional Handheld Microphone** **LBB9099/10**  
with a lockable 5-pin DIN connector

**Americas:**  
Bosch Communications Systems  
12000 Portland Avenue South  
Burnsville, Minnesota 55337, USA  
Phone: +1-800-392-3497  
Fax: +1-800-955-6831  
audiosupport@us.bosch.com  
www.boschsecurity.com

**Europe, Middle East, Africa:**  
Bosch Security Systems B.V.  
P.O. Box 80002  
5600 JB Eindhoven, The Netherlands  
Phone: +31 40 2577 284  
Fax: +31 40 2577 330  
emea.securitysystems@bosch.com  
www.boschsecurity.com

**Asia-Pacific:**  
Robert Bosch (SEA) Pte Ltd  
11 Bishan Street 21  
Singapore 573943  
Phone: +65 6571 2600  
Fax: +65 6571 2698  
apr.securitysystems@bosch.com  
www.boschsecurity.com

**Represented by**