

FIRST CHOICE



Vehicle Specific Parts Module. **1st** Edition

In-Dash Mounting Kits



Multi Fit Facia Kit

Facia plate with 1/2 DIN pocket

- Fits directly to factory mounting holes. For ISO size radio
- Comprises moulded facia plate to suit DIN mount aftermarket radio



996504



0 8 6 4 2 9 0 7 8 4 5 5

Facia Plate

- Fits directly to factory mounting holes. For DIN size radios.
- Comprises moulded facia plate to suit DIN mount aftermarket radio



Suit models:

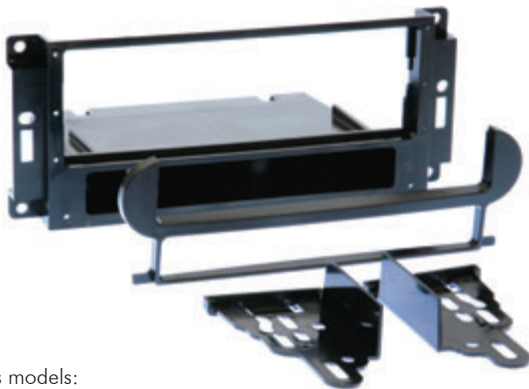
- Jeep Grand Cherokee 1999-2004
- Jeep Wrangler 2003-2005
- Jeep Liberty 2002-2005
- Chrysler Neon 2000-2004
- Chrysler PT Crusier 2001-2005
- Chrysler Voyager 2001-2005
- Dodge Viper 2003-2005

996503



0 8 6 4 2 9 0 5 7 6 0 3

Facia Kit



Suits models:

- Jeep Grand Cherokee 2005
- Dodge Durango 2004-05
- Chrysler 300 2005
- Dodge Magnum 2005

FP996507



0 8 6 4 2 9 1 2 0 5 1 2

Facia Kit

Suits models:

- Chrysler Sebring 2007
- Chrysler Town and Country 2008
- Dodge Avenger 2007-2008
- Dodge Dakota 2008
- Dodge Grand Caravan 2008
- Dodge Nitro 2007
- Jeep Wrangler 2007 (Modifications to radio cavity required)



FP996511



0 8 6 4 2 9 1 6 4 4 1 7

Din pullout and removable face Din radios
With under radio CD case pocket

Chrysler / Dodge / Jeep Cherokee 97-01
Grand Cherokee 93-98 / Jeep Wrangler 97-02



FP996000



0 86429 05411 4

In-Dash Mounting Kits

Facia kit

Comprises multiple moulded facias and mounting brackets. Suits Shaft or DIN mount aftermarket radio



Ford

- Bronco SUV 1987-1996
- Bronco II SUV 1984-1990
- Explorer SUV 1991-1994
- F150 1987-1996
- F250 2 dr. 1987-1996
- F250 4 dr. Pickup 1996
- F350 2 dr. Ext. Cab Pickup 1988-1996
- F350 2 dr. Pickup 1987-1996
- F350 4 dr. Pickup 1987-1996
- Festiva 2 dr. 1988-1993
- LTD 4 dr. 1979-1986
- Mustang 1994-2000
- Probe 1993-1997
- Taurus 4 dr. 1986-1995
- Thunderbird 1985-1995

Jeep

- Cherokee 1988-1996
- Wrangler 1986-1996

Mazda

- 626 1993-1997
- B Series 2 dr. Pickup 1994
- MPV Minivan 1996-1997
- MX-3 1992-1996
- MX-6 1993-1996
- Protege 1995-2000

NEW

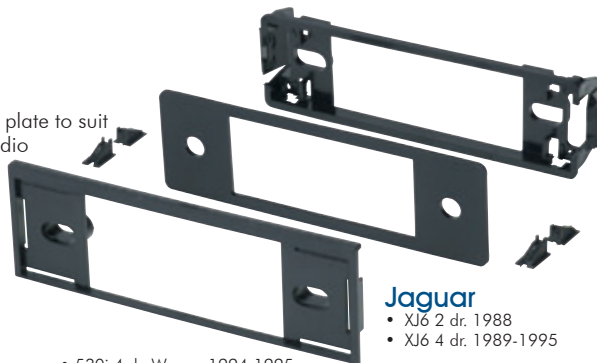
FP995510



0 8 6 4 2 9 0 0 2 7 0 2

Facia Plate

Comprises moulded facia plate to suit DIN mount aftermarket radio



Suits models:

Alfa

- Romeo 164 1991-1993
- Romeo Milano 1986-89
- Romeo Spider 1987-1989

Audi

- 100 1989-1994
- 100 Wagon 1989, 1992-1994
- 200 4 dr. 1989-1990
- 4000 1980-1983
- 5000 4 dr. 1983-1985
- 5000 CS 1986-1988
- 5000 S 4 dr. 1983-1988
- 5000 S 4 dr. Wagon 1984-1988
- 80 2 dr. 1990
- 80 4 dr. 1988-1992
- 90 2 dr. 1990
- 90 4 dr. 1988-1990, 1993-1995
- S4 4 dr. 1992-1994

BMW

- 318i 2 dr. Convertible 1991-1992, 1994-1997
- 318i 2 dr. 1984-1985
- 318i 4 dr. 1985, 1991-1998
- 318is 2 dr. 1991-1997
- 318ti 2 dr. 1995-1999
- 320i 2 dr. 1977-1983
- 323i 2 dr. Convertible 1998
- 323is 2 dr. 1998
- 325 2 dr. 1986-1988
- 325 4 dr. 1986-1988
- 325e 2 dr. 1984-1985, 1987
- 325e 4 dr. 1984-1985, 1987
- 325es 2 dr. 1986-1987
- 325es 4 dr. 1986-1987
- 325i 2 dr. Convertible 1987-1995
- 325i 2 dr. 1987-1991
- 325i 4 dr. 1987-1995
- 325is 2 dr. 1987-1990, 1992-1995
- 325is 4 dr. 1987-1989
- 325ix 2 dr. 1988-1991
- 325ix 4 dr. 1989-1991
- 328i 2 dr. Convertible 1996-1998
- 328i 4 dr. 1996-1998
- 328is 2 dr. 1996-1998
- 524td 4 dr. 1985-1986
- 525i 4 dr. 1989-1995
- 525i 4 dr. Wagon 1992-1995
- 528e 4 dr. 1981-1988
- 528i 4 dr. 1979-1983, 1997-1998
- 530i 4 dr. 1994-1995

- 530i 4 dr. Wagon 1994-1995
- 533 4 dr. 1983
- 533i 4 dr. 1984
- 535i 4 dr. 1985-1993
- 535is 4 dr. 1987-1988
- 540i 4 dr. 1994-1995, 1997-1998
- 630csi 2 dr. 1977
- 633csi 2 dr. 1978-1984
- 635csi 2 dr. 1979-1989
- 733i 4 dr. 1978-1984
- 735i 4 dr. 1985-1992
- 735il 4 dr. 1988-1992
- 740i 4 dr. 1993-1995, 1997-1998
- 740il 4 dr. 1993-1998
- 745i 4 dr. 1984
- 750il 4 dr. 1988-1998
- 850i 2 dr. 1991-1992
- M1 2 dr. 1979-1980
- M3 2 dr. Convertible 1998
- M3 2 dr. 1988-1991, 1995-1998
- M3 4 dr. 1997-1998
- M5 4 dr. 1988, 1991-1993
- M6 2 dr. 1987-1988
- Z3 2 dr. Convertible 1997-2002
- Z3 2 dr. 1999-2002

Daihatsu

- Charade 2 dr. 1989-1992
- Charade 4 dr. 1990-1992

Fiat

- 131/Brava 2 dr. 1979-1980, 1982-1983
- Berton X 1/9 2 dr. 1985-1988
- Strada 2 dr. 1980-1983

Honda

- Integra 1986-1989
- Legend 1987-1989
- Accord 2 dr. Coupe 1988-1989
- Accord 2 dr. Hatch 1982-1989
- Accord 4 dr. 1982-1989
- Civic 2 dr. Coupe 1993-1995
- Civic 2 dr. Hatch 1986-1995
- Civic 4 dr. 1986-1995
- Civic 4 dr. Wagon 1986-1992
- CR-X 1986-1991
- Prelude 1983-1991
- Integra 1986-1989

Jaguar

- XJ6 2 dr. 1988
- XJ6 4 dr. 1989-1995

Mercedes Benz

- 190D 4 dr. 1984-1989
- 190E 4 dr. 1984-1993
- 240D 4 dr. 1981-1983
- 260E 4 dr. 1987-1989
- 300E 4 dr. 1986-1993
- 300SD 4 dr. 1981-1985
- 300SDL 4 dr. 1986-1987
- 300SE 4 dr. 1988-1993
- 300SEL 4 dr. 1988-1991
- 300TD 4 dr. Wagon 1981-1984, 1987
- 300TD-T 4 dr. Wagon 1985
- 300TE 4 dr. Wagon 1988-1993
- 350SD 4 dr. 1991
- 350SDL 4 dr. 1990-1991
- 380 SE 4 dr. 1984-1985
- 380SEC 2 dr. 1982-1983
- 380SEL 4 dr. 1981-1983
- 420SEL 4 dr. 1986
- 500E 4 dr. 1992-1993
- 500SE 4 dr. 1984
- 500SEC 2 dr. 1982-1985, 1993
- 500SEL 4 dr. 1984-1985, 1992-1993
- 560SEC 2 dr. 1986-1991
- 560SEL 4 dr. 1986-1991

Mitsubishi

- Mirage 1993-1995
- Montero 2 dr. SUV 1987-1988

Peugeot

- 405 4 dr. 1989-1995
- 505 4 dr. 1984-1991

Porsche

- 911 Carrera 2 dr. 1984-1989, 1996-1997, 1999-2002
- 911 Carrera 4S 2 dr. 1997-1998, 2000
- 911 Carrera S 2 dr. 1998
- 911 GT2 2 dr. 2002
- 911 Millenium 2 dr. 2000
- 911 SC 2 dr. Convertible 1974-1983
- 911 SC 2 dr. 1974-1983
- 911 Speedster 2 dr. 1989
- 911 Targa 2 dr. 2002
- 911 Turbo 2 dr. Convertible 1987-1989

- 911 Turbo 2 dr. 1986-1989, 1991-1992, 1994, 1997, 2000-2002
- 924 2 dr. 1977-1982
- 924 S 2 dr. 1987-1988
- 924 Turbo 2 dr. 1980-1982
- 928 2 dr. 1980-1982
- 928 GT 2 dr. 1989-1991
- 944 2 dr. 1983-1989
- 944 S 2 dr. 1987-1988
- 944 S Turbo 2 dr. 1988
- 944 S2 2 dr. Convertible 1990-1991
- 944 S2 2 dr. 1989-1991
- 944 Turbo 2 dr. 1986-1989
- 968 2 dr. Convertible 1992-1995
- 968 2 dr. 1992-1995
- Boxster 2 dr. Convertible 1997-2002
- Boxster S 2 dr. Convertible 2000-2002

Renault

- Alliance 4 dr. 1984-1985
- Encore 2 dr. 1984-1985
- Fuego 2 dr. 1982-1985
- Le Car 2 dr. 1978-1983

Saab

- 900 Series 2 dr. 1986
- 900 Series 4 dr. 1979-1985, 1987-1995, 1997-1998

Volkswagen

- Microbus Minivan 1968-1978
- Passat 4 dr. 1990-2001
- Passat 4 dr. Wagon 1990-2001
- Quantum 1982-1983
- Quantum 4 dr. 1984-1988
- Quantum 4 dr. Wagon 1982-1988
- Rabbit 2 dr. Convertible 1980
- Rabbit 2 dr. 1975-1980
- Rabbit 4 dr. 1975-1980
- Scirocco 2 dr. 1982-1988
- Super Beetle 2 dr. 1973-1975
- Vanagon Minivan 1980-1990

FP999001



0 8 6 4 2 9 0 0 2 9 2 4

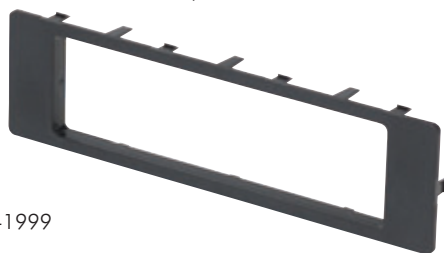
In-Dash Mounting Kits

Suits AUDI

Multi kit

Facia Plate

Fits the factory radio opening perfectly. High grade ABS plastic. Easy to use instructions and all necessary hardware included



Suits models:

- A4 1996-1999
- A4 Avant 1998-1999
- A6 1995-1999
- A6 Avant 1999
- A8 1997-1999
- S4 1999
- S6 1995-1996

FP999100

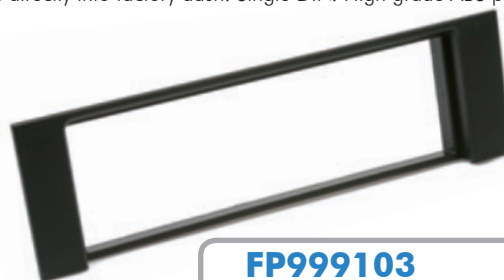


0 8 6 4 2 9 0 8 1 4 1 7

A4 01-04

Single Din Facia Plate

Fits directly into factory dash. Single DIN. High grade ABS plastic



FP999103



0 8 6 4 2 9 1 2 0 7 5 8

A4 2002

Single Din Plate & Pocket (Black)



FP9102



9 317114 888891

Suits BMW

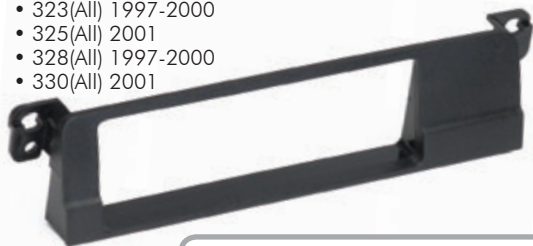
3 Series

Facia Plate

Fits DIN radios. Matches factory dash contour perfectly. High grade ABS plastic

Suits models:

- 318(All) 1999
- 323(All) 1997-2000
- 325(All) 2001
- 328(All) 1997-2000
- 330(All) 2001



FP999300



0 8 6 4 2 9 0 8 1 3 9 4

5 Series

Facia Plate

Comprises moulded facia plate to suit DIN mount aftermarket radio. Packed in poly bag with full-colour header.

Suits models:

- 525i 4 dr. 2001-2002
- 525i 4 dr. Wagon 2001-2002
- 528i 4 dr. 1999-2000
- 528i 4 dr. Wagon 1999-2000
- 530i 4 dr. 2001-2002
- 540i 4 dr. 1999-2002
- 540i 4 dr. Wagon 1999-2002
- X5 2000-2005



FP999301



0 8 6 4 2 9 0 8 6 4 6 7

Suits DAEWOO

Packed in poly bag with full-colour header

Multi kit

Single DIN Conversion Facia With Pocket

Comprises moulded facia plate and pocket to suit ISO mount aftermarket radio.

Suits models:

- Lanos 1999-2002
- Leganza 1999-2002
- Nubira 4 dr. 1999-2002
- Nubira 4 dr. Wagon 2001



FP998800



Suits FORD

Falcon BA/BF

Facia Panel + Dual USB Accessory Pocket

- Packed full colour giftbox
- **Designed to fit vehicles with Automatic Transmission only**
- Holds standard Single DIN Head unit.
- Includes Accessory pocket Fitted with Dual USB charging ports
- USB Ports can Charge up to 0.5 A each.

Suitable for charging Portable Navs, Mobile Phones, Blue tooth kits and iPod/iPhone (including 4G Nano, Touch and 3G iPhone)

Fascia Panel

- Designed to fit vehicles with Manual Transmission or Automatic transmission.
- Packed full colour giftbox



NEW

FP9042



NEW

FP9042M



Falcon AU Series 1-3

Single DIN Conversion Pocket

- Metal mounting brackets
- AU SI Grey colour
- Packed full colour giftbox



NEW

FP9141



Falcon AU Series 1-3

Single DIN Conversion Pocket

- Designed to fit vehicles with Manual Transmission or Automatic transmission.

See also FP995200 Page 54(series 1 only)



Black

FP9040



Grey

FP9041



Falcon XD-XE

Radio Mounting Bracket,

Requires FP13 or FP14.

Facia plate

to suit DIN mount aftermarket radio.



Black

FP14



9 317114 880727

FP15



9 317114 880697

Grey

FP13



9 317114 880734

Fiesta 2002-11/2005

Single Din & Pocket



NEW

FP9146



9 317114 900982

Focus 05 on

Transit 06 on

Single Din & Pocket



NEW

FP9144



9 317114 888099

Falcon XF

Facia Plate

to suit DIN mount aftermarket radio.



FP23



9 317114 880710

Falcon EA

Facia Plate

to suit DIN mount aftermarket radio.



FP24



9 317114 880741

Focus 2005

Facia Kit With Pocket

- Used when replacing OEM double DIN head unit with a single DIN after-market head unit
- Fills the space left below/above single DIN head-unit



FP995808



0 86429 12096 3

Multi Fit

Facia kit

Comprises moulded facia plates to suit DIN or Shaft mount aftermarket radio

- Bronco 1992-1996
- Bronco II 1989-1990
- Econoline Van 1992-1996
- Explorer 1991-1994
- F150 1992-1996
- F250 2 dr. 1992-96
- F250 4 dr. Pickup 1996
- F350 1992-1996
- Mustang Convertible 1994-2000
- Probe 1993-1997
- Taurus 1990-1995



FP995512



Facia kit

Comprises moulded facia plate to suit DIN mount aftermarket radio.

Suits Models:

- Explorer 2002
- Mustang 2001-2002
- Cougar 1999-2002



FP995803



Single DIN Conversion Facia With Pocket

Comprises moulded facia plate with pocket and mounting brackets.

To suit ISO or DIN mount aftermarket radio

Suits Models:

- Explorer SUV 2002
- Mustang 2 dr. Convertible 2001
- Mustang 2 dr. 2001-2002
- Cougar 1999-2002



995026



Single DIN Conversion Facia With Pocket

Comprises moulded facia plate with pocket and rear mounting bracket. To suit DIN mount aftermarket radio

Suits Models:

- Falcon AU Series 1
- Focus 2000-2004
- Focus ZX3 2 dr. 2000-2002
- Focus ZX5 4 dr. 2002
- Cougar 1999-2002



FP995200



Single DIN Conversion Facia With Pocket

Recessed Din with snap in ISO mount pocket. ISO Din trim ring.

Contoured to factory dash. High grade ABS plastic

Suits Models:

- Focus 2003-2004
- Cougar 1999-2002



FP995806



Single DIN Conversion Facia With Pocket

Comprises moulded facia plate and pocket.

To suit DIN mount aftermarket radio

Suits Models:

- Explorer 1995-2001
- F150 1999-2002
- F150 4 dr. Pickup 2001-2002
- F250 1999-2002
- F350 1999-2002



FP995804



Multi Fit

Double DIN Fascia Kit

Designed specifically for the installation of double DIN radios. High grade ABS plastic contoured, textured and painted to compliment the factory dash.

- Explorer SUV 2002
- Mustang 2 dr. Convertible 2001
- Mustang 2 dr. 2001-2002
- Cougar 1999-2002



FP955026



Facia kit

To suit DOUBLE DIN mount aftermarket radio. Packed in poly bag.

Suits Models:

- Explorer 1995-2001
- F150 1999-2002
- F150 4 dr. Pickup 2001-2002
- F250 1999-2002
- F350 1999-2002



FP955600



Double Din Plate

Suits Models:

- Focus 05-08
- Transit 05-08
- Fiesta 05-08



BLACK

FP9145



9 317114 888105



SILVER

FP9145S



9 317114 901002



METALIC

FP9145M



9 317114 900999

Suits HOLDEN

Multi Fit

Facia kit

Quick release, snap-in ISO mount system with custom trim ring. Recessed Din opening, storage pocket with Radio mounts

Suits models:

- Barina
- Captiva (SX, CX, LX)
- Epica 2006 on



NEW

FP993306



0 86429 16412 7

Double DIN Facia Plate

- Used for fitting a Double DIN aftermarket radio, CD or DVD player to the original double enclosure
- Manufactured with high quality ABS plastic moulding with a texture that matches the factory dash panel
- Includes accessory pocket
- Easy snap on installation



Suits models:

- Commodore VY
- Monaro 04/06

FP9056



9 317114 898104

Multi Fit

Single DIN Conversion Facia With Pocket

- Used for fitting a single DIN aftermarket radio, CD or DVD player to the original double DIN enclosure
- Manufactured with high quality ABS plastic moulding with a texture that matches the factory dash panel
- Includes accessory pocket
- Easy snap on installation

Front Load Slot Type



- Suits models:
- Commodore VY/VZ
 - Monaro 02 on

FP9045



9 317114 893734

Single DIN Conversion Facia With Pocket

- Includes side wings for a cleaner installation
- Used for fitting a single DIN aftermarket radio, CD or DVD player to the original double DIN enclosure
- Manufactured with high quality ABS plastic moulding with a texture that matches the factory dash panel
- Includes accessory pocket
- Easy snap on installation

Rear Load UNI Mount



- Suits models:
- Commodore VY/VZ
 - Monaro 02 on

FP9046



9 317114 898098

Single Din & Pocket (Metallic Finish)

- Suits models:
- Astra 05 on
 - Zafira 05 on



NEW

FP9048



9 317114 888877

Rubber Touch Single Din & Pocket

- Suits models:
- Astra 02-04
 - Barina 02-05
 - Vectra 02-06



NEW

FP9047



9 317114 888853

Astra 05 on

Single Din & Pocket (Silver)



NEW

FP9048S



9 317114 901019

Commodore VN-VS

Radio Mounting Bracket

Allows for easy installation of aftermarket stereo in factory location



FP75



9 317114 880680

Camira

Mounting Brackets

- plates for mounting DIN radio to factory holes



FP40



9 317114 880796 >

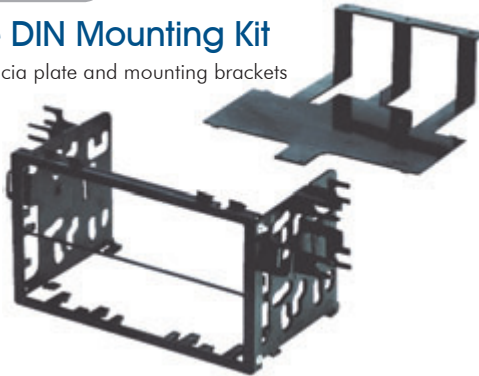
In-Dash Mounting Kits

Suits HONDA

Multi Fit

Double DIN Mounting Kit

Comprises fascia plate and mounting brackets



Suits models:

- Accord 1990-2002
- Civic 1999-2000
- CRV 1997-2001
- Odyssey 1995-2002
- Prelude 1992-2001
- Integra 1990-2001
- Legend 1990-1995

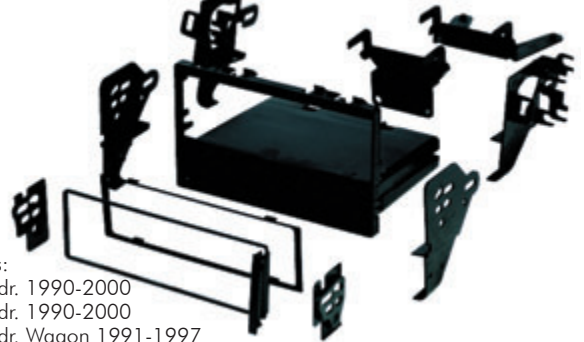
FP997801



0 8 6 4 2 9 0 8 4 3 6 4

Single DIN Conversion Facia Kit With Pocket

Comprises moulded fascia plate & pocket and all mounting brackets & hardware



Suits models:

- Accord 2 dr. 1990-2000
- Accord 4 dr. 1990-2000
- Accord 4 dr. Wagon 1991-1997
- Civic 1996-2000
- CR-V 1997-2005
- Odyssey 1995-2004
- Prelude 1989-2000
- Integra 1990-2001
- Legend 1990-1995

FP997898



0 8 6 4 2 9 0 8 3 1 4 5

Single DIN Conversion Facia With Pocket

Allows an aftermarket DIN size radio to be fitted in the factory mounting location. Attaches directly to the factory mounting holes. Pocket holds two CD jewel cases



Suits Models:

- CRV 97-02
- Prelude 97-00

997893



0 8 6 4 2 9 0 3 9 9 4 4

Accord 03-05

Complete interface system with electronic controls

This kit allows installation of an aftermarket stereo system. The heating, ventilation and Air Conditioning are all controlled by this kit. Replaces the entire climate control panel(except Dual Zone automatic Climate Control). Retains full functionality of the HVAC system. Moulded to match dash colour & texture. ISO trim ring included. Recessed DIN mount and snap on ISO mount. All controls are backlit for night driving



Optional Dual Zone adaptor 70-8215 available on request

FP997864

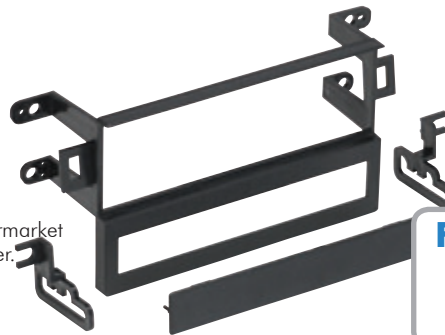


0 8 6 4 2 9 1 0 8 7 7 0

Accord 98-02

Facia kit

Comprises moulded facia plate to suit DIN mount aftermarket radio. Also provides space for 1/4 or 1/2 DIN equaliser.



- Suits Models:
- Accord 2 dr. 1998-2002
 - Accord 4 dr. 1998-2001

FP997894



Civic 01-05

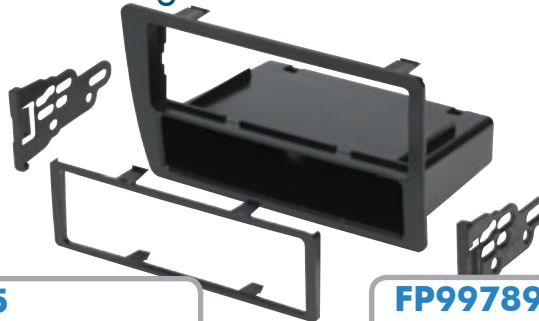
Double DIN Stacked Facia Plate



FP997865



Single DIN Conversion Facia With Pocket



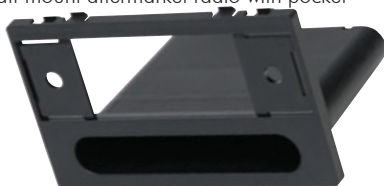
FP997899



Civic 99-00

Facia kit with pocket

Comprises moulded facia plate with pocket to suit DIN or Shaft mount aftermarket radio with pocket



Suits Models:

- Civic 2 dr. Coupe 99-00
- Civic 2 dr. Hatch 99-00
- Civic 4 dr. 1999

FP997896



CRV 07

Single DIN Conversion Facia With Pocket



FP997873



Suits HYUNDAI

Multi Fit

Single DIN Conversion Facia With Pocket

Comprises moulded facia plate with pocket and mounting brackets. Suits DIN mount aftermarket radio



Suits Models:

- Elantra Sedan 1997-2000
- Santa Fe 2001-2005
- Sonata 1995-2002
- Tiburon 1997-2003

FP997309



Facia plate

Allows an aftermarket DIN size radio to be fitted in the factory mounting location. Attaches directly to the factory mounting holes



Suits Models:

- Accent/Excel 1995-1999, 2002-2005
- Sonata 1995-1998
- Tiburon 1997-2002

997308



Multi Fit

Designed to mount precisely to OEM Radio mounting positions for a professionally installed look.
Quick conversion from 2 shaft to Din
High grade ABS plastic

Accent 95-99 / Elantra 92-95, Excel 86-94 / S Coupe 91-95
/ Sonata 95-98 / Tiburon 97-02 (not FX)



FP997301

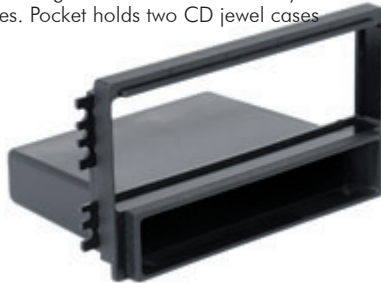


Single DIN Conversion Facia With Pocket

This facia kit allows an aftermarket DIN or ISO size radio to be fitted in the factory mounting location. Attaches directly to the factory mounting holes. Pocket holds two CD jewel cases

Suits Models:

- Elantra 2001-2005
- Sonata 2002-2005
- Tiburon 2003-2005



997313



Accent 00-02

Single DIN Conversion Facia

This facia kit allows an aftermarket DIN or ISO size radio to be fitted in the factory mounting location. Attaches directly to the factory mounting hole



Suits Models:

- Accent 2 dr. 2000-02
- Accent 4 dr. 2000-01

997310



Elantra 02

Single DIN Conversion Facia With Pocket

This facia kit allows an aftermarket DIN size radio to be fitted in the factory mounting location. Attaches directly to the factory mounting holes. Pocket holds two CD jewel cases

Suit Models:

- Elantra 4 dr. 2002
- Elantra 4 dr. Sedan 2002



997314



Sonata 06-08

Double DIN Kit



FP957320



Sonata 99-01

Single DIN Conversion Facia With Pocket

This facia kit allows an aftermarket DIN or ISO size radio to be fitted in the factory mounting location. Attaches directly to the factory mounting holes. Pocket holds two CD jewel cases



997311



Tucson 05-up

Single DIN Conversion Facia Kit With Pocket

Recessed DIN opening facia with under Radio storage pocket.
Contoured to match factory dash



FP997315



Suits JEEP

Multi Fit

Facia Plate

- Suits Models:
- Cherokee 1997-2001
 - Grand Cherokee 1996-1998
 - Wrangler 1997-2002



FP9050



Multi Fit

Single DIN Conversion Facia Kit With Pocket

ISO Din with under Radio pocket. Contoured to fit factory dash



- Suits Models:
- Sorrento LX 03-06
 - Spectra 04-05

FP991008



Single DIN Conversion Facia Kit With Pocket



- Suits Models:
- Sedona 02-03
 - Spectra 01-03
 - Carnival 01-05

NEW

FP991005



Facia Kit

To accommodate full DIN aftermarket radio
This facia kit allows an aftermarket DIN size radio to be fitted in the factory mounting location. Attaches directly to the factory mounting holes



- Suits Models:
- Sephia 1995-2003
 - Sportage 1995-2003
 - Rio 2001
 - Spectra 2000-2001

991003



Double DIN Facia Kit

- Double DIN radio provision
- Stacked ISO Units provision



NEW

FP957323



- Suits Models:
- Carnival 2006
 - Sedona 2006

Sorento 2007

Double DIN Facia Kit

- Double DIN radio provision
- Stacked ISO Units provision



FP957328



0 8 6 4 2 9 1 6 5 1 1 7

Spectra 5 2007

Double DIN Facia Kit

- Double DIN Radio Provision
- Stacked ISO Mount Mount Units Provision



NEW

FP957330



0 8 6 4 2 9 1 7 1 9 1 0

Optima 01-05

Single DIN Conversion Facia Kit With Pocket

This facia kit allows an aftermarket DIN or ISO size radio to be fitted in the factory mounting location. Attaches directly to the factory mounting holes. Pocket holds two CD jewel cases



997313



0 8 6 4 2 9 0 8 1 8 1 3

Optima 01

Single DIN Conversion Facia Kit With Pocket

This facia kit allows an aftermarket DIN size radio to be fitted in the factory mounting location. Attaches directly to the factory mounting holes. Pocket holds two CD jewel cases



997314



0 8 6 4 2 9 0 8 4 1 0 4

RIO 02-05

Facia kit with under radio pocket



FP991007



0 8 6 4 2 9 1 0 2 1 9 8

Suits LEXUS

ES300 92-96

Facia kit with Pocket

Provides a pocket with recessed mounting of DIN radio or an ISO DIN Radio using the snap on brackets



FP998150
0 8 6 4 2 9 0 8 3 4 1 1

IS300 01-05

Facia kit with Pocket

Will accommodate a full recessed DIN unit with a pocket. Fits an ISO mount unit with pocket. Can mount two stacked ISO UNITS or a Double DIN unit



FP998151
0 8 6 4 2 9 0 9 1 5 4 6

GS 300/400 98-03

Single DIN Conversion Facia Kit With Pocket

Recessed DIN Radio opening with pocket. ISO Mount Radio using the snap in ISO mounts



FP998152
0 8 6 4 2 9 1 0 1 6 8 9

LS 95-00

Double DIN Facia kit

For use in vehicles without factory navigation

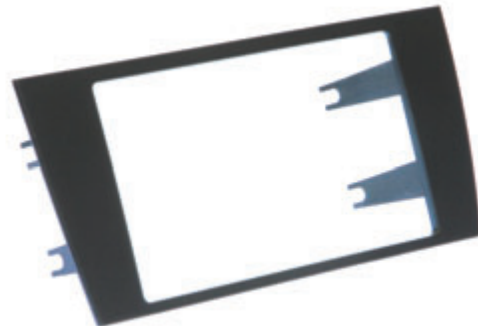


FP958153
0 8 6 4 2 9 1 7 3 1 6 7

ES300 97-03

Double DIN Radio Provision

- Stacked ISO Mount Units Provision



FP958155
0 8 6 4 2 9 1 7 2 8 4 9

Suits MAZDA

Multi Fit

Single DIN Conversion Facia Kit With Pocket

Comprises moulded facia plate with pocket and mounting brackets. To suit ISO or DIN mount aftermarket radio



- Suits Models:
- 626 1993-1997
 - B Series Pickup 1994
 - MPV 1996-1997
 - MX-3 1992-1996
 - MX-6 1993-1996
 - Protege 1995

995026



Double DIN Fascia Kit

Designed specifically for the installation of double DIN radios. High grade ABS plastic contoured, textured and painted to compliment the factory dash.

- Suits Models:
- Mazda 626 1993-1997
 - Mazda B Series Pickup 1994
 - Mazda MPV 1996-1997
 - Mazda MX-3 1992-1996
 - Mazda MX-6 1993-1996
 - Mazda Protege 1995

FP955026



Fascia Kit

Quick conversion from 2 shaft to Din. Specially designed for ISO mount radios with ISO trim ring. Radio side support is provided by Side Arm support system. OEM style pocket included.

Mazda 323 86-94 / Mazda 626 86-92 / Mazda 929 88-91 / Mazda B series Pickup 86-93 / Mazda X5 90-98
Mazda MX6 (Large Pocket) 86-92 / Mazda MX6 (Small Pocket) 86-92 / Mazda MPV 89-95 / Mazda RX7 84-91

FP997501



Replacement pocket

Holds three CD jewel case



- Suits Models:
- 323 1986-1994
 - 626 1986-2002
 - 929 1988-1991
 - B-Series 1986-1993
 - Miata 1990-2002
 - Millenia 1994-2002
 - MPV 1989-1995
 - MX6 1988-1992
 - Protege 1990-2002
 - Protege 5 2002
 - RX-7 1986-1997
 - Tribute 2001-2002

FP987599



Single DIN Conversion Facia Kit With Pocket

Comprises of facia with pocket, trim plate and mounting brackets

- Suits Models:
- Protege 01-04
 - Tribute 02-05



FP997505



3 Series 04-05

Single DIN Conversion Facia Kit With Pocket

ISO Din mount recess with moulded pocket. Display above radio becomes non-functional, so an extra small pocket is supplied to replace the display. Textured and Contoured to match factory dash



FP997504



323 02-05

Facia Kit

Fits DIN radios.
Matches factory dash contour perfectly



FP999300



B Series 95-02

Facia Kit

To suit DOUBLE DIN mount
aftermarket radio.
Packed in poly bag.



**Single DIN Conversion
Facia Kit With Pocket**

Comprises moulded facia plate and pocket.
To suit DIN mount aftermarket radio



FP955600



FP995804



Suits Mercedes Packaging Type Slide Blister

Mercedes Sprinter 00-06

Single Din Plate with stereo housing (Black)



FP9300



Suits MINI

Cooper 02-05

Facia Plate

Designed to fit the Factory Radio opening. Will accommodate
a full DIN unit. Mounts using the
factory Radio mounting points for a strong, secure fit



FP999302



Suits MITSUBISHI Packaging Type Polybag

Multi Fit

Fits single Din installation, half Din Eq provision
High grade ABS plastic
Mitsubishi Outlander 03-06 /
Mitsubishi Galant 94-98
/ Mitsubishi Mirage 93-02



FP997001



Suits NISSAN

Universal

Accessory Pocket



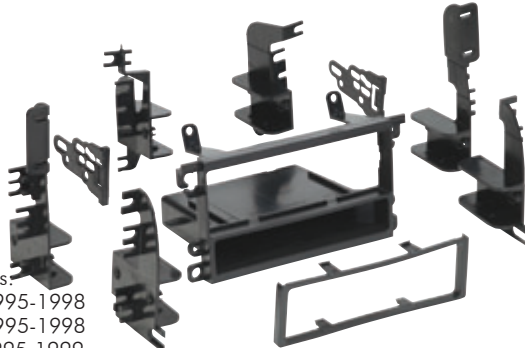
FP9043



Multi Fit

Single DIN Conversion Facia Kit With Pocket

Suitable for ISO and DIN mount applications. Accommodates two CD cases in pocket. Designed to match contour of dash



Suits models:

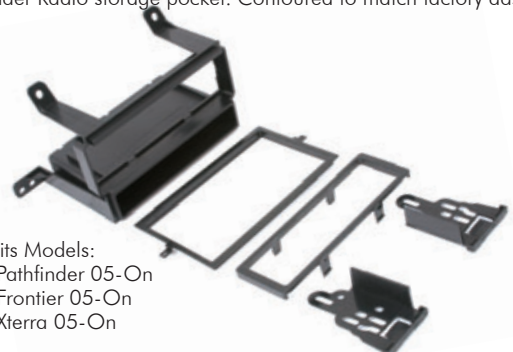
- 240SX 1995-1998
- 200SX 1995-1998
- Sentra 1995-1999
- Maxima 1995-2003
- Altima 1998-2001
- Pathfinder 1996-2003
- Frontier 1998-2004
- Exterra 2000-2004

FP997417



Single DIN Conversion Facia Kit With Pocket

Recessed DIN opening. Double DIN Radio trim included. Under Radio storage pocket. Contoured to match factory dash.



Suits Models:

- Pathfinder 05-On
- Frontier 05-On
- Xterra 05-On

FP997581



Facia Kit

Quick conversion from 2 shaft to Din
Designed to mount precisely to the OEM radio mounting position
Equalizer provision allows installation of a 1/4 or 1/2 Din Equalizer
High grade ABS plastic

Nissan 200SX 85-88 / Nissan Altima 93-97 / Nissan Maxima 87-94
/ Nissan Pathfinder 87-95 / Nissan Pulsar 83-95 / Nissan Satnza 87-89



FP997401



Pathfinder 96-00

Facia kit with pocket

This facia kit allows an aftermarket DIN size radio to be fitted in the factory mounting location. Attaches directly to the factory mounting holes



997579



Skyline V35 350GT 03-04

Replaces entire climate control panel and retains full functionality of the HVAC system. Patented quick release, snap-in, ISO mount system with a custom trim ring. Recessed DIN opening. Removable oversized storage pocket with built in radio supports. Also includes parts for installation of double-DIN radios or two single-DIN radios Painted to match factory color and texture Custom design allows retention of factory air vents in their original location Comprehensive instruction manual including step by step disassembly and assembly Includes all necessary hardware for a complete installation Contoured and textured to match factory dash



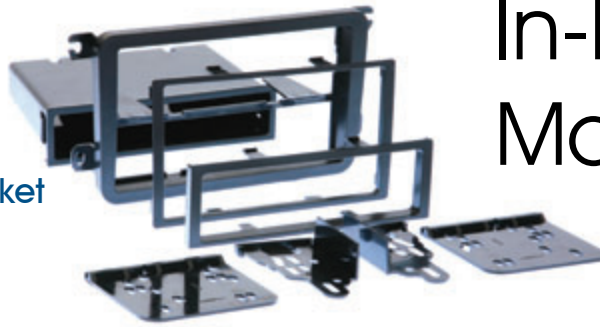
FP997604



In-Dash Mounting Kits

350Z 03-05

Facia Kit with pocket



FP997402



0 8 6 4 2 9 0 9 8 0 5 7

Suits Peugeot

206 98-01

Single Din Plate with stereo housing (Black)



FP9206



9 317114 888884

Suits SUBARU

Multi Fit

Facia Kit

Comprises of under radio pocket and trim rings.



Suits Models:

- Forester 1998-2004
- Impreza 1993-2005
- Impreza WRX 2002-2005
- Outback 2000-2004

FP988999



0 8 6 4 2 9 0 8 9 4 9 9

Facia Kit

Comprises moulded facia plates to suit DIN or shaft mount aftermarket radio. Also provides space for 1/4 or 1/2 DIN equalizer . Multi purpose kit offers quick conversion from Shaft type to DIN.



Suits Models:

- RX (sedan) 1985-1989
- Brat 2 dr. Pickup 1982-87
- Justy 2 dr. 1987-94
- Legacy 4 dr. 1990-94
- Legacy 4 dr. Wagon 1990-94
- Loyale 2 dr. 1990-93
- Loyale 4 dr. 1990-94
- Loyal 4 dr. Wagon 1990-93

FP9055



9 317114 893741

Impreza/WRX 08

Double Din Facia Kit

- Double DIN Radio Provision
- Stacked ISO Mount Units Provision



FP958902



0 8 6 4 2 9 1 7 4 9 8 0

Single DIN Conversion Facia Kit With Pocket



FP998902



0 8 6 4 2 9 1 7 4 9 8 0

Suits SUZUKI

Grand Vitara 06/07

Double DIN Radio Provision

- Stacked ISO Mount Units Provision



FP957953



Swift 95-01

Facia plate

Comprises moulded facia plate to suit DIN or shaft mount aftermarket radio. Also provides space for half DIN equaliser



FP993411



Multi Fit

Facia Kit

DIN and ISO DIN Head Unit provision. Heavy Duty ABS Plastic construction and factory Style Texture finish



FP997950



Suits Models:

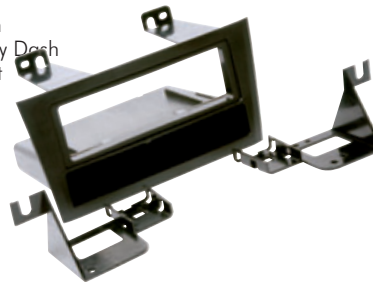
- Grand Vitara 03-05
- XL-7 03-05
- Aerio 03-05

Suits TOYOTA

Avalon 00-04

Single DIN Conversion Facia Kit With Pocket

- Recessed DIN opening
- Snap in ISO support system
- Contoured to match Factory Dash
- Under radio storage pocket
- High Grade ABS Plastic



FP998211



Avalon 05-06

DIN Fascia Kit

- Recessed DIN opening
- High grade ABS plastic
- Contoured and textured to compliment the factory dash
- All necessary hardware included for installation



FP998215



Corolla 03-on

Double DIN Radio Provision

- Stacked ISO Units Provision



FP958204



Corolla 98-02

Facia Kit

Comprises moulded facia plate to suit DIN or shaft mount aftermarket radio. Also provides space for 1/4 or 1/2 DIN equaliser. Retains factory cup holder



FP993413



Corolla 03-08

Single DIN facia kit with pocket

Provides pocket with recessed mounting of a DIN radio



FP998204



0 8 6 4 2 9 0 8 6 8 1 8

Runner LTD 03-05

Single DIN Conversion Facia With Pocket

Used for fitting a single DIN aftermarket Radio, CD or DVD player.
Din Mounting Provision with pocket



FP998210



0 8 6 4 2 9 1 2 5 9 3 7

Multi Fit

Facia kit with pocket

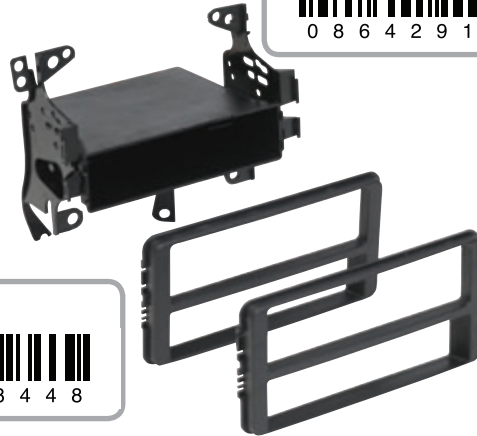
Suitable for ISO Din mount radios with three CD pocket

- Suits Models:
- Celica 00-05
 - Echo 00-05

998201

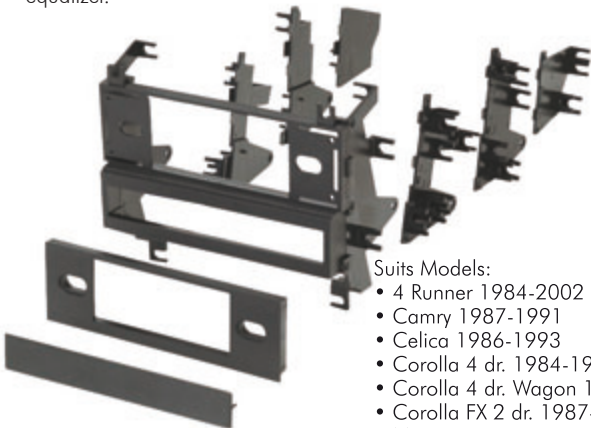


0 8 6 4 2 9 0 7 8 4 4 8



Fascia Kit

Comprises moulded fascia plate to suit DIN or shaft mount aftermarket radio. Also provides space for 1/4 or 1/2 DIN equalizer.



- Suits Models:
- 4 Runner 1984-2002
 - Camry 1987-1991
 - Celica 1986-1993
 - Corolla 4 dr. 1984-1997
 - Corolla 4 dr. Wagon 1988-97
 - Corolla FX 2 dr. 1987-1988
 - MR2 1991-1995
 - Hilux 2 dr. Pickup 1984-1994
 - Supra 1986-1994

FP9065



9 317114 893758

Universal Pocket to Suit Toyota

- Under Radio Storage Pocket to suit various Toyota and Nissan vehicles.
- Supplied with Left and Right side mounting brackets
- ABS Plastic
- Black finish
- Packed in hang sell blister



NEW

FP9016

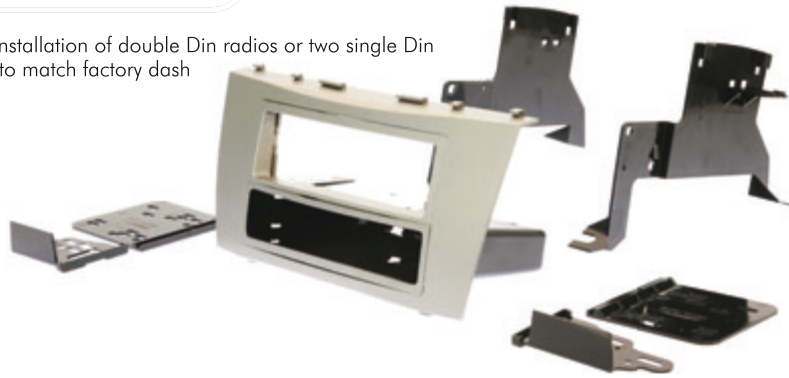


9 317114 876706

In-Dash Mounting Kits

Camry 07-08

Designed specifically for the installation of double Din radios or two single Din
 Painted Silver and contoured to match factory dash
 Recessed Din opening
 Snap in ISO support system
 High grade ABS plastic



FP998218



Suits VOLKSWAGEN

Touareg 04/05

Single DIN Conversion Facia With Pocket

Recessed DIN opening with under Radio storage pocket. Contoured to match factory dash.
 High grade ABS plastic



FP999009



Beetle 98-04

Single DIN Facia kit.

Suitable for ISO Din & Din mount radios. Unique side clips for quick & easy installation



999008



Multi Fit

Under Radio Pocket

Comprises of moulded custom pocket for under radio fitting.

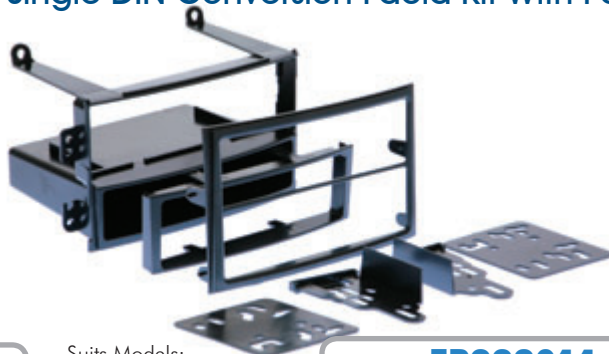


Suits Models:
 • Golf 00-06
 • Passat 00-06

FP9080



Single DIN Conversion Facia Kit With Pocket



Suits Models:
 • Jetta 06
 • Gti 06
 • Passat 06

FP999011



Suits VOLVO

200 Series 75-93

Facia Plate

Comprises moulded facia plate to suit DIN mount aftermarket radio



999210



0 8 6 4 2 9 0 1 0 1 3 4

Multi Fit

Facia Kit

Suits Models:

- 100 Series 1973-75
- 200 Series (lower dash) 1975-93
- 200 Series (upper dash left hand drive vehicle only) 1980-93
- 740 Series 1985-92
- 760 Series 1983-88



FP999222



0 8 6 4 2 9 0 0 8 5 9 9

Head Unit Covers

Universal Under Dash Car Radio Housing

- This housing provides a shaft or DIN installation space where no room was previously provided.
- Manufactured from UV stabilised ABS plastic. 89mm H x 254mm W x 229mm D.
- Packed in hang sell, full colour blister.



AP9000



9 317114 868800

Water-Resistant Radio Housing

- Complete housing for protection from rear of equipment as well as front.
- Recessed for DIN, shaft or pullout application.
- Plastic cover protects against dust, water and UV rays.
- Wiring for equipment preinstalled through rear seal, cabling for four speakers and four RCA leads.
- Packed in full colour giftbox.



FP9003



9 317114 884282

Universal Water-Resistant Radio Cover

- Recessed for DIN, shaft or pullout application.
- Plastic cover protects against dust, water and UV rays.
- Design allows the door to open up or down.
- 100mm H x 240mm W x 50mm D.



FP9005



9 317114 884299

Universal Car Radio Facia - Water Resistant

- Allows for door to swing up or down
- Dimensions 110mm H x 225mm W x 50mm D

Black



AP9004B



0 8 6 4 2 9 0 2 4 5 7 5

White



AP9004W

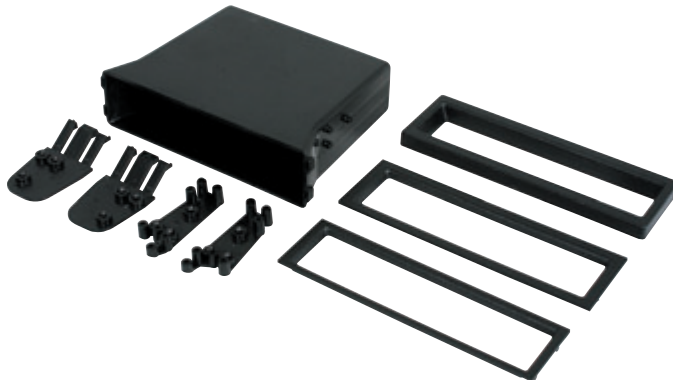


0 8 6 4 2 9 0 2 4 5 8 2

Universal Pocket

Ford/Mazda/Nissan/Toyota/Volvo 850–950 Under Radio Multipocket

- This pocket fits under an aftermarket radio when a double DIN style unit has been replaced.
- Comes with clips and mounting brackets to suit many modern vehicles.
- Snap on trim rings blend the pocket into the dash.
- Internally ribbed to hold three CD jewel cases.
- Packed in poly bags with full colour header.



88009000



0 8 6 4 2 9 0 5 7 6 9 6

Universal EQ (Half DIN) Pocket

- This pocket fits under an equalizer or half DIN size unit to fill in the remaining space.
- Designed to fill gap when EQ or other ½ DIN equipment is installed.
- Holds one CD jewel case
- Packed in poly bags with full colour header



88009700



0 8 6 4 2 9 0 3 1 0 0 9

DIN Snap In Pocket

- DIN fitting
- Black finish
- Easy to fit



FP9014



9 317114 888389

6 CD Indash Pocket Silver

- Universal CD pocket.
- Holds 6 CD's
- Fits both Din & Jin type fitting.
- Multifit holes for universal mounting.



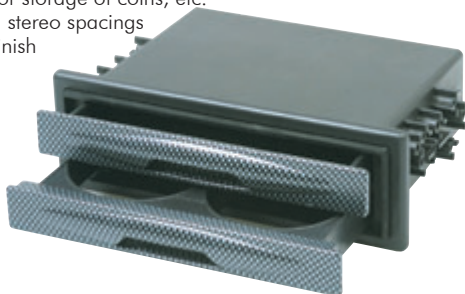
FP9006



9 317114 888303

Universal Pocket with Drink Holder & Drawer

- Holds two cans/cups
- Lined drawer for storage of coins, etc.
- Fits DIN or JIN stereo spacings
- Carbon fibre finish



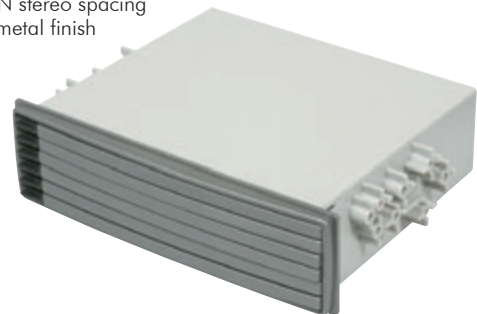
FP9009



9 317114 884077

Universal Pocket with CD Holder

- Holds up to six CDs
- Fits JIN stereo spacing
- Gun metal finish



FP9010



9 317114 886781

Universal Pocket with CD & Drink Holder

- Holds three CDs and two cans/cups
- Fits JIN stereo spacing
- Gun metal finish



FP9011



9 317114 886798

Universal Pocket with CD Holder & Drawer

- Holds three CDs
- Lined drawer for storage of coins, etc.
- Fits JIN stereo spacing
- Gun metal finish



FP9012



9 317114 886804

Universal Drink Holder and Accessories DIN Pocket with 3.5mm Aux Input,

- Top drawer has 3.5mm Aux input for connection to iPod, MP3, Portable CD player, etc
- Bottom Drawer drops down to reveal cup holder
- Fits both DIN and JIN Stereo spacing



Black

FP9008BN



9 317114 898128



Grey

FP9008G



9 317114 899583



Universal Accessories DIN Pocket with 3.5mm Aux Input, Black

- Drawer has 3.5mm Aux input for connection to iPod, MP3, Portable CD player, etc
- Fits both DIN and JIN Stereo spacing

iPod/MP3 Ready



FP9015



9 317114 898111

Universal ISO Double DIN Mounting Plate

- Can be used for mounting double DIN sized head units
- Suits most popular vehicles such as Ford, Holden, etc. used for replacing single DIN head units with Double DIN sized head units
- Outer can be trimmed to required size depending on application



FP999999



0 86429 08464 7

Fitting Accessories

VW/Audi/Mercedes Radio Removal Tool (1998 Up)

- This key allows the factory radio to be removed from many VW, Audi and Mercedes models.



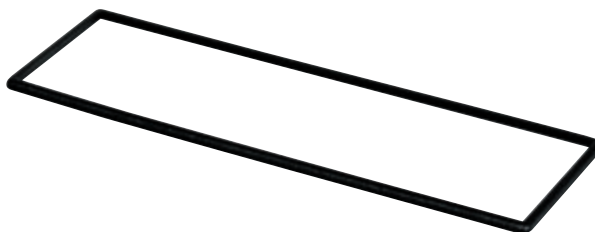
869001



0 8 6 4 2 9 0 5 9 7 0 6

Universal DIN Trim Ring

- 1/8" width
- Replace broken trim ring.
- Packed in poly bag with full-colour header card.



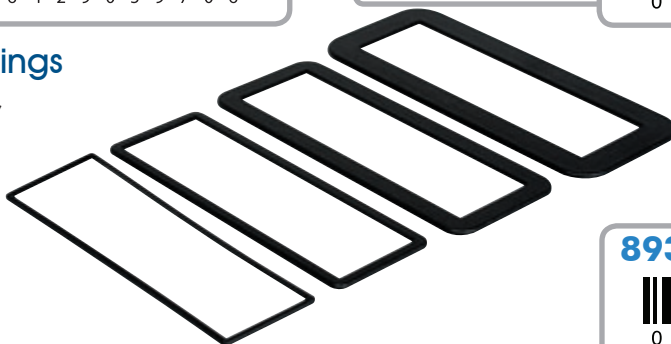
89300125



0 8 6 4 2 9 0 1 0 6 3 9

Universal DIN Trim Rings

- Pack of four trim rings
- Sizes – 1/8", 1/4", 1/2" & 3/4"
- Replace broken trim ring



89300900



0 8 6 4 2 9 0 0 9 9 0 9

In Dash Centre Speakers

Ford/Mazda/Nissan/Toyota/Volvo (most models) Comprises of DIN Sized Pocket loaded with centre speaker for True Mobile Surround Sound.

- Each speaker is fitted with a fine cloth mesh grille.
- Speaker consists of 2 x 1.5" Mid Woofers
- 1 x 1" Balance Drive Tweeter. Neodymium Magnet System
- 20 mm Diameter Kapton Voice Coil. 20 Watts Maximum Power handling.
- Packed in full colour giftbox.

CSP01B



9 317114 893772



CAR AUDIO ACCESSORIES

WES COMPONENTS AUSTRALASIA 2009

Updated comprehensive range of accessories for audio systems in your car!
Including Car amplifiers, speakers, subwoofers, customising components, power & wiring parts, harnesses, fuses, antennae and more!

Email: sales@wes.net.au Phone: +61-2-9797-9866 Fax: +61-2-9716-6015

18
SECTION